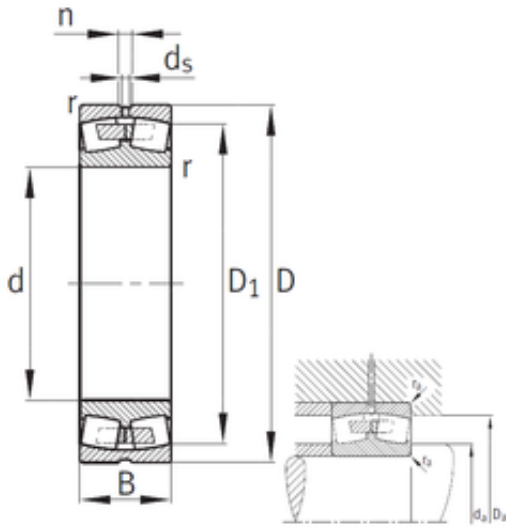




Vickers PUMP LIMITED



220 mm x 340 mm x 90 mm FAG 23044-MB Spherical Roller Bearings

Bearing No. 23044-MB

Size	220x340x90 mm
Bore Diameter	220 mm
Outer Diameter	340 mm
Width	90 mm
d	220 mm
D	340 mm
B	90 mm
C	90 mm
n	15 mm
r min.	3 mm
D1	301,8 mm
da min.	232,4 mm
Da max.	327,6 mm
ra max.	2,5 mm
d5	8 r/min
Weight	31,7 Kg
Basic dynamic load rating (C)	1100 kN
Basic static load rating (C0)	2000 kN
Fatigue load limit (Pu)	132
Reference speed	1 440 r/min
Limiting speed	1 700 r/min
Calculation factor (e)	0,26
Calculation factor (Y0)	2,5
Calculation factor (Y1)	2,55

23044-MB Bearing 2D drawings and 3D CAD models