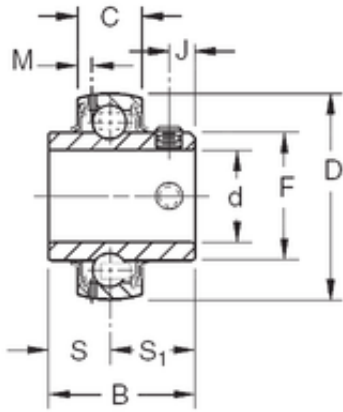




Vickers PUMP LIMITED

30 mm x 62 mm x 38,1 mm TIMKEN GYE30KRRB SGT Insert Bearings Spherical OD



Bearing No. GYE30KRRB SGT

Size	30x62x38.1 mm
Bore Diameter	30 mm
Outer Diameter	62 mm
Width	38,1 mm
d	30 mm
D	62 mm
B	38,1 mm
C	18 mm
S1	22,22 mm
F	40,31 mm
J	7,62 mm
M	3,96 mm
S	15,88 mm
Thread (G)	M6X1
Basic dynamic load rating (C)	21,6 kN

GYE30KRRB SGT Bearing 2D drawings and 3D CAD models